

Iride

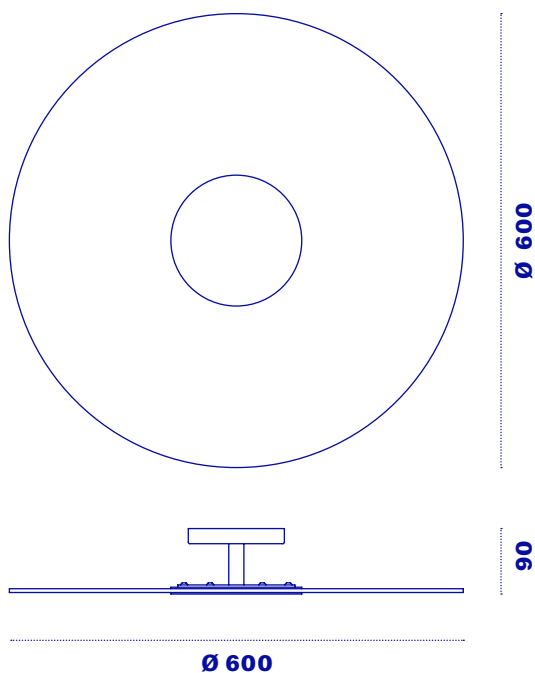
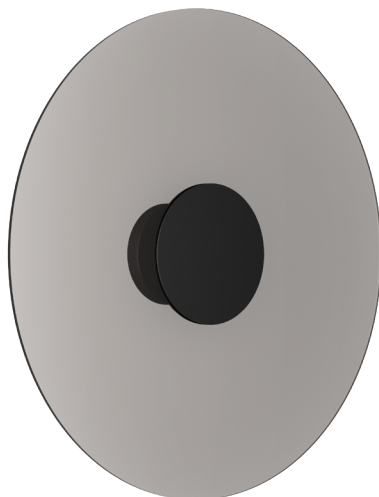
Iride is a wall lamp inspired by the world of furniture and the shape of the human iris. A large pupil created with smoked glass with a diameter of 60 cm and a thickness of 0,5 cm which is supported by a central metal disc fixed to the wall with a 9 cm spacer. Inside the metal disc there is a mains voltage LED light source that emits up to 3700 Lumen, generating a pleasant indirect light without compromising the light performance.



Light



InDoor



Iride

Supply voltage	230 VAC	
Max. current	0,2 A	
Use	INDOOR	
Temperature	● 3000 K	
Power	15W	25 W
Lumen	2250	3750
Glass	Smoked (thickness 5 mm)	

Code	Plate color	Temperature	Power
IRI-	White = B	3000°K = 3K	15 W = 15 25 W = 25
	Black = N		
	Bronze = BZ		
	Copperbronze = BR		
	Octane = OT		
	Green-gold = VO		
	Natural iron = FN		

Dimmable via Triac dimmer (not included).